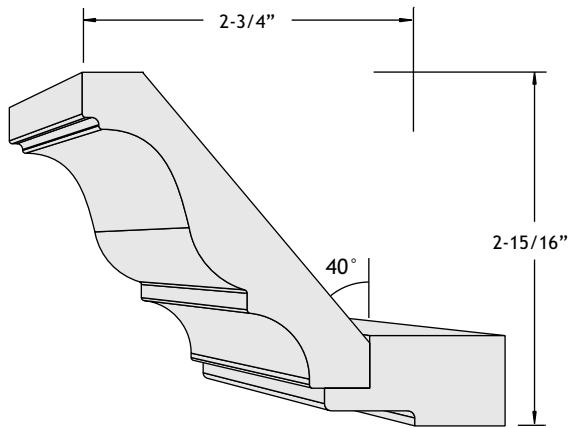
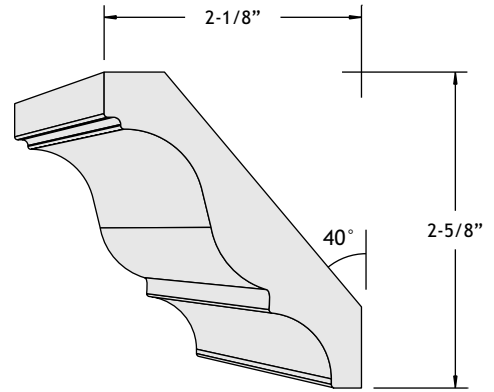


Millwork

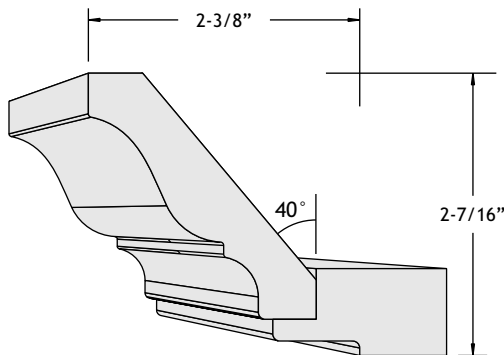
Crown Moulding Patterns



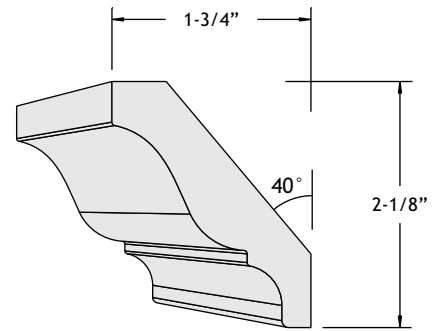
Crown1-L 3-3/8" Crown Pattern w/ Ledger



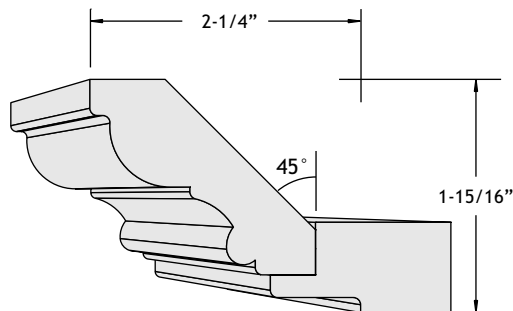
Crown1 3-3/8" Crown Pattern



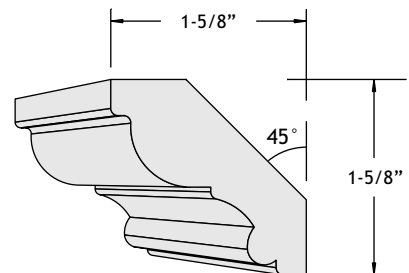
Crown2-L 2-3/4" Crown Pattern w/ Ledger



Crown2 2-3/4" Crown Pattern



Crown3-L 2-1/4" Crown Pattern w/ Ledger

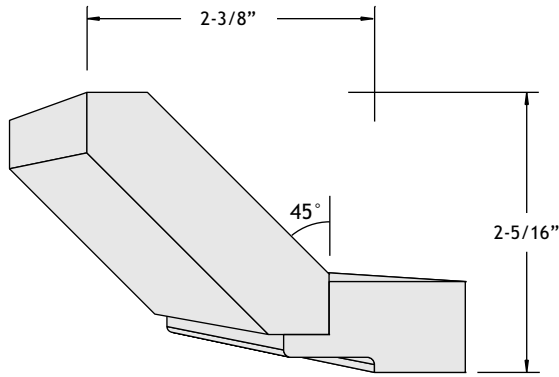


Crown3 2-1/4" Crown Pattern

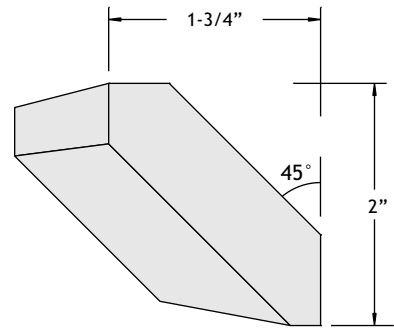
PureWood™



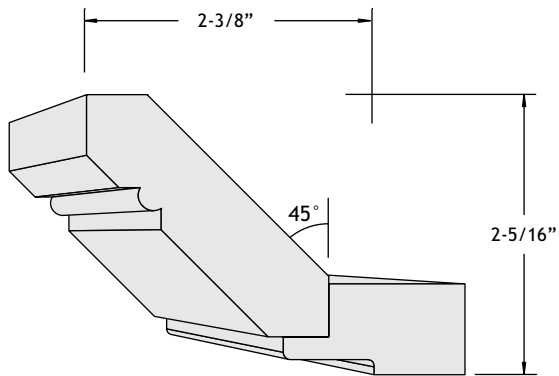
Architectural Millwork



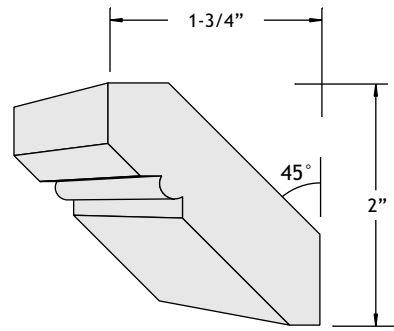
Crown4-L 2-7/8" Shaker Crown Pattern w/ Ledger



Crown4 2-7/8" Shaker Crown Pattern



Crown5-L 2-7/8" Beaded Shaker Crown Pattern w/ Ledger



Crown5 2-7/8" Beaded Shaker Crown Pattern

Cabinet Moulding Price List

Moulding Pattern	Knotty Pine Red Oak Knotty Oak	PG Hwd Alder Knotty Alder Rustic Cherry	Ash Cherry Knotty Cherry	Maple White Oak	Beech Rustic Beech Hickory Knotty Hickory	CVG Fir Mahogany (Qtr'd Sapele)	Walnut
Crown1							
Crown2							
Crown3							
Crown4							
Crown5							

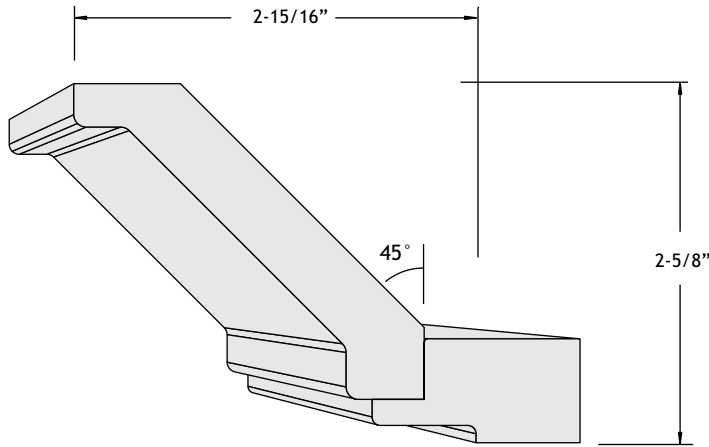
All Prices are per lineal foot.

Lengths will vary between 8 and 12 feet.

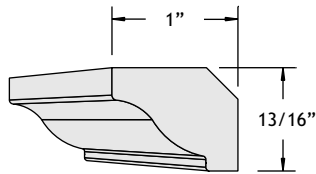
For Ledger Board Applications, order separately from page 11

Millwork

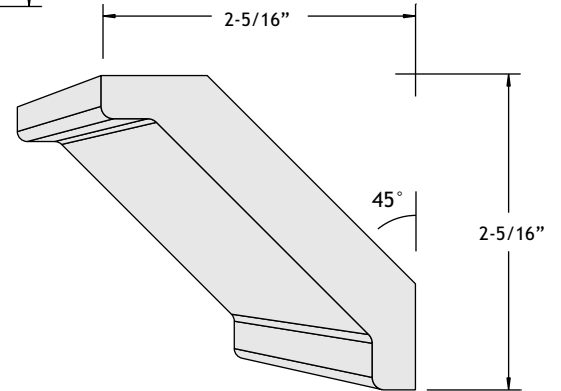
Crown Moulding Patterns



Crown12-L 3-1/4" Crown Pattern w/ Ledger



Crown6 1" Crown Pattern



Crown12 3-1/4" Crown Pattern

Cabinet Moulding Price List

Moulding Pattern	Knotty Pine Red Oak Knotty Oak	PG Hdwd Alder Knotty Alder Rustic Cherry	Ash Cherry Knotty Cherry	Maple White Oak	Beech Rustic Beech Hickory Knotty Hickory	CVG Fir Mahogany (Qtr'd Sapele)	Walnut
Crown6							
Crown7							
Crown8							
Crown12							

All Prices are per lineal foot.

Lengths will vary between 8 and 12 feet.

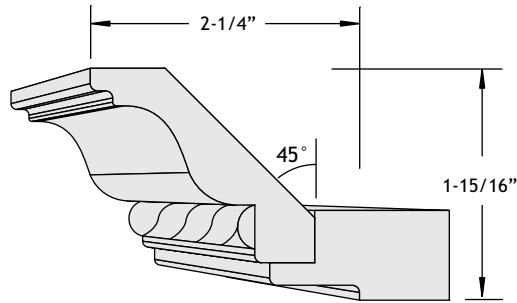
Pricing is the same for Crown Pattern or Crown Pattern designed for Ledger Board.

Ledger Board sold separately on page 11.

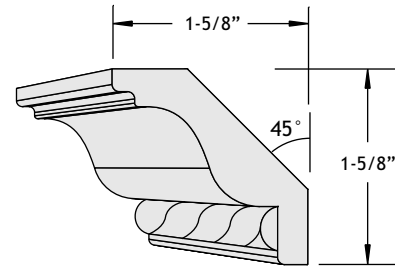
Pure Wood™



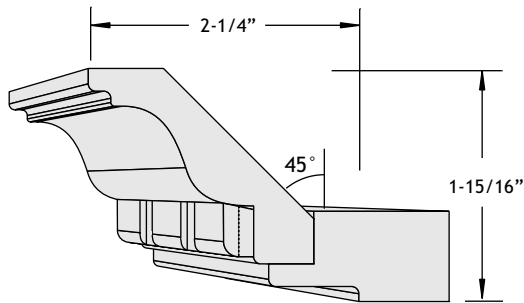
Architectural Millwork



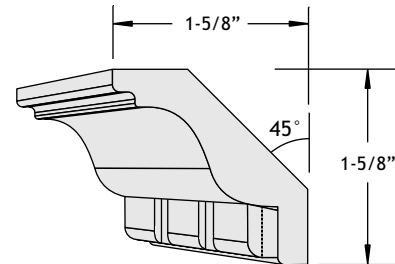
Crown7-L 2-1/4" Crown Pattern w/ Ledger



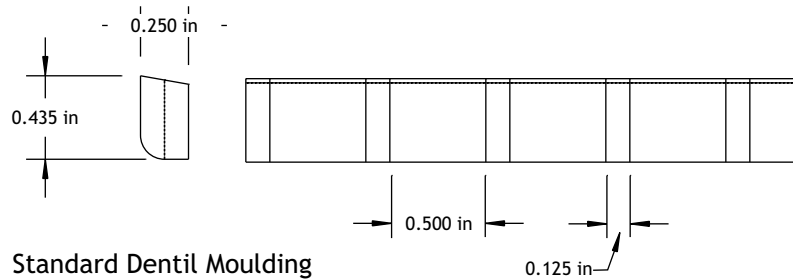
Crown7 2-1/4" Crown Pattern



Crown8-L 2-1/4" Crown Pattern w/ Ledger



Crown8 2-1/4" Crown Pattern

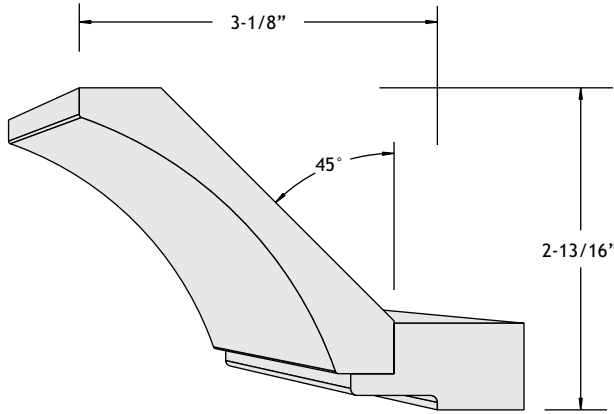


Standard Dentil Moulding

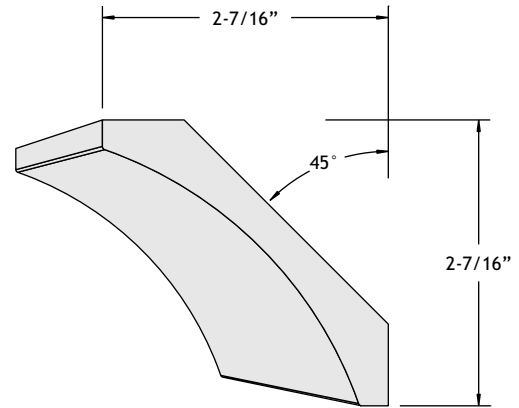
Millwork

PureWood™

Crown Moulding Patterns



Crown9-L 3-1/2" Crown Pattern w/ Ledger



Crown9 3-1/2" Crown Pattern

Cabinet Moulding Price List

Moulding Pattern	Knotty Pine Red Oak Knotty Oak	PG Hdw Alder Knotty Alder Rustic Cherry	Ash Cherry Knotty Cherry	Maple White Oak	Beech Rustic Beech Hickory Knotty Hickory	CVG Fir Mahogany (Qtr'd Sapele)	Walnut
Crown9							
Crown10							
Crown11							

All Prices are per lineal foot.

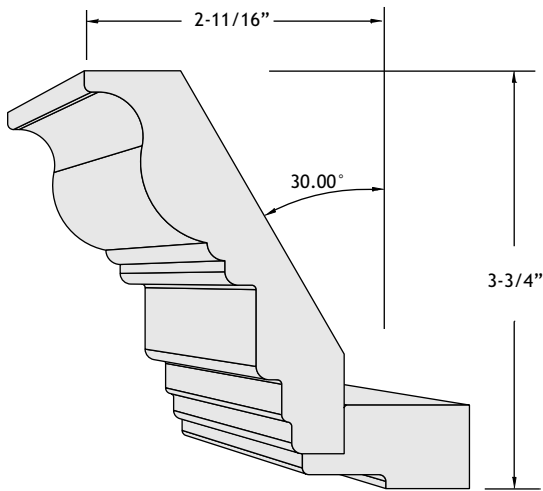
Lengths will vary between 8 and 12 feet.

Pricing is the same for Crown Pattern or Crown Pattern designed for Ledger Board.

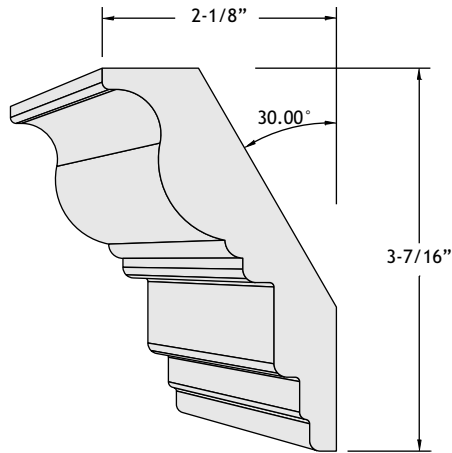
Ledger Board sold separately on page 11.



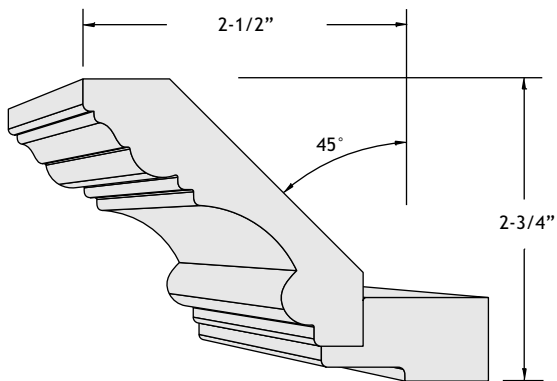
Architectural Millwork



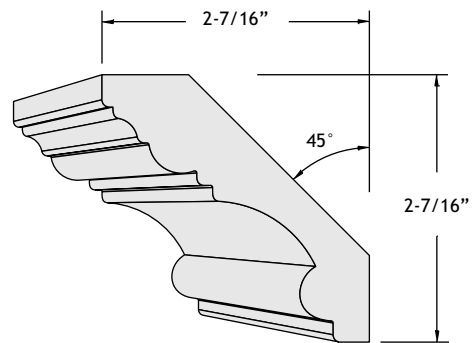
Crown10-L 4" Crown Pattern w/ Ledger



Crown10 4" Crown Pattern



Crown11-L 3-3/8" Crown Pattern w/ Ledger

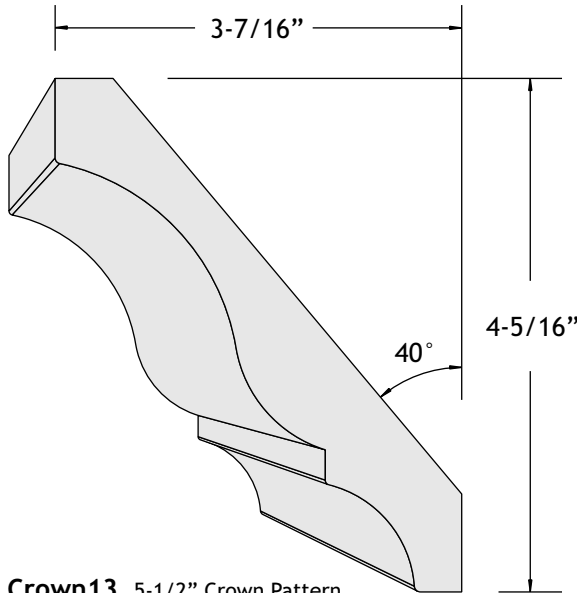


Crown11 3-3/8" Crown Pattern

Millwork

PureWood™

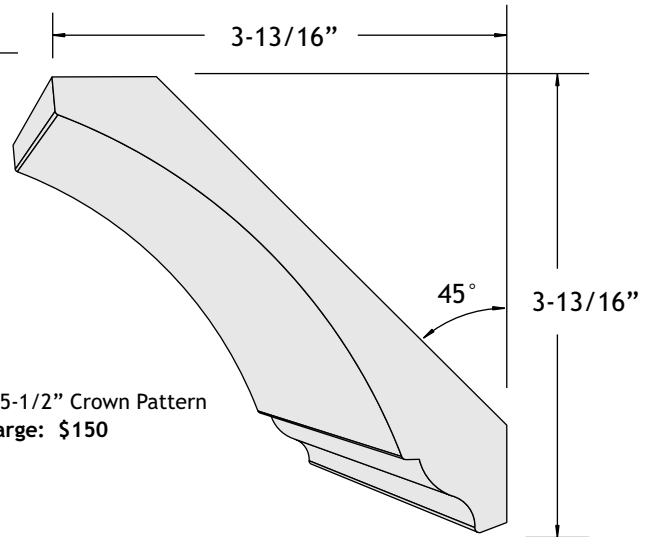
Crown Moulding Patterns



Crown13 5-1/2" Crown Pattern
Setup Charge: \$150

Please Note:

All crowns on these pages are not stocking items and require a minimum setup charge, as listed.



Crown14 5-1/2" Crown Pattern
Setup Charge: \$150

Cabinet Moulding Price List

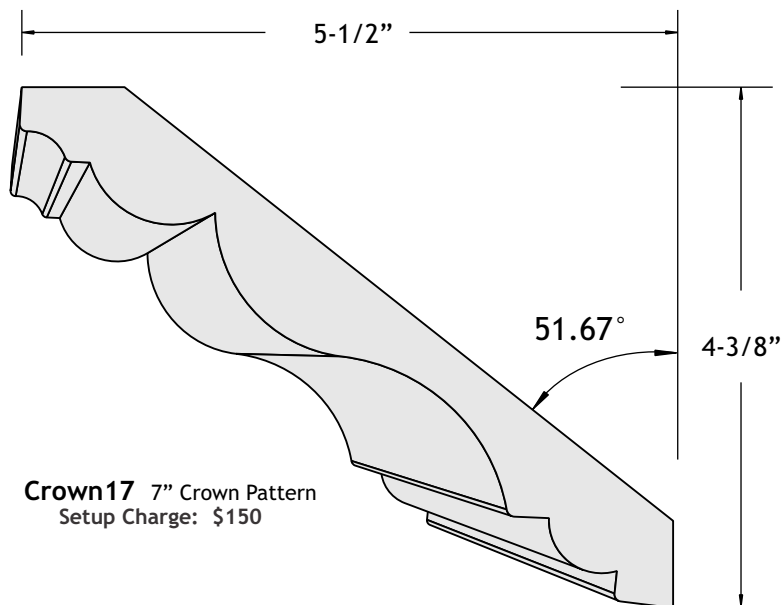
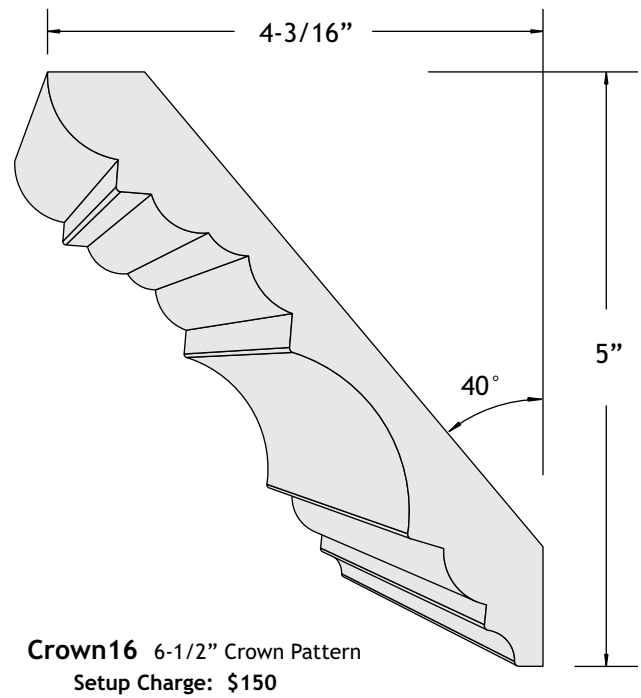
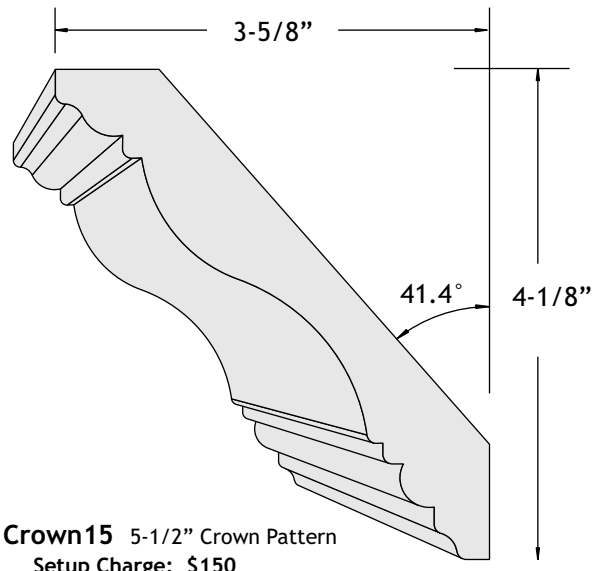
Moulding Pattern	Knotty Pine Red Oak Knotty Oak	PG Hwd Alder Knotty Alder Rustic Cherry	Ash Cherry Knotty Cherry	Maple White Oak	Beech Rustic Beech Hickory Knotty Hickory	CVG Fir Mahogany (Qtr'd Sapele)	Walnut
Crown13							
Crown14							
Crown15							
Crown16							
Crown17							

All Prices are per lineal foot.

Lengths will vary between 8 and 12 feet.



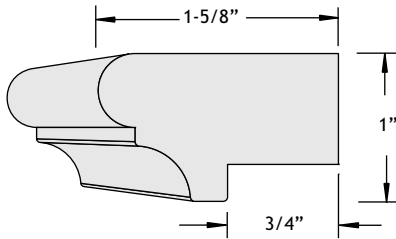
Architectural Millwork



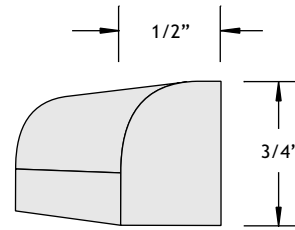
Millwork

PureWood™

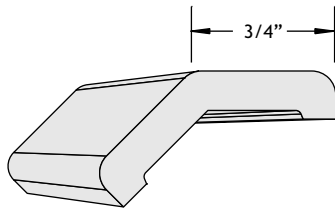
Misc. Cabinet Mouldings



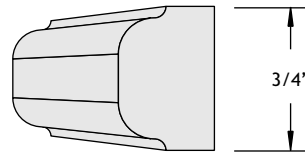
CR1
Chair Rail- 3/4" Cap



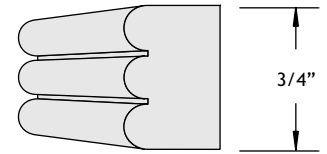
3/4" x 1/2" Base Shoe



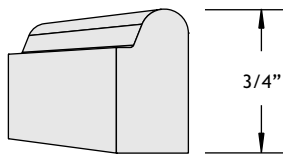
OSCorner3
Outside Corner Moulding 135°
(45° application)



ShelfEdge1
Decorative Shelving
Edge
1/2" x 3/4"



ShelfEdge2
Decorative Shelving
Edge
1/2" x 3/4"



Inset Bead 3/8" Inset Door Bead
(faceframing bead for flush inset applications)

Cabinet Moulding Price List

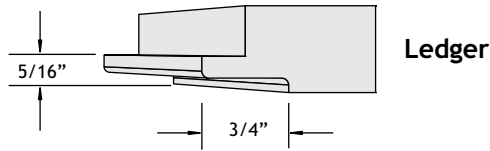
Moulding Pattern	Knotty Pine Red Oak Knotty Oak	PG Hdwd Alder Knotty Alder Rustic Cherry	Ash Cherry Knotty Cherry	Maple White Oak	Beech Rustic Beech Hickory Knotty Hickory	CVG Fir Mahogany (Qtr'd Sapele)	Walnut
CR1 Chair Rail							
Base Shoe							
OSCorner3							
ShelfEdge1							
ShelfEdge2							
Inset Bead							

All Prices are per lineal foot.
Lengths will vary between 8 and 12 feet.



Architectural Millwork

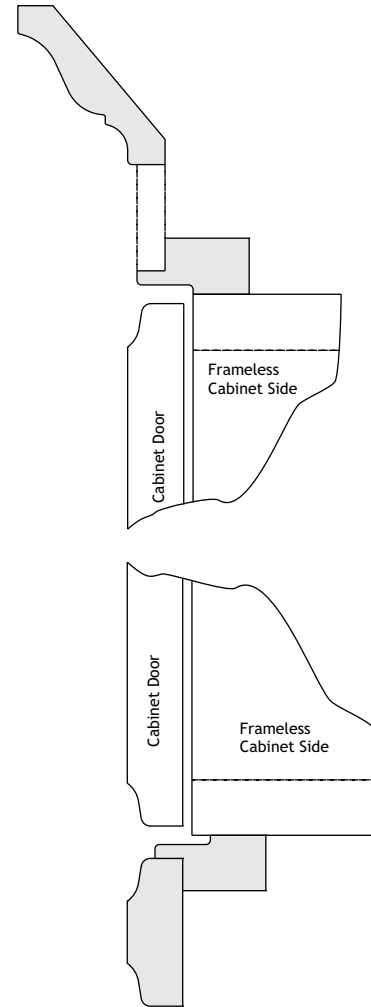
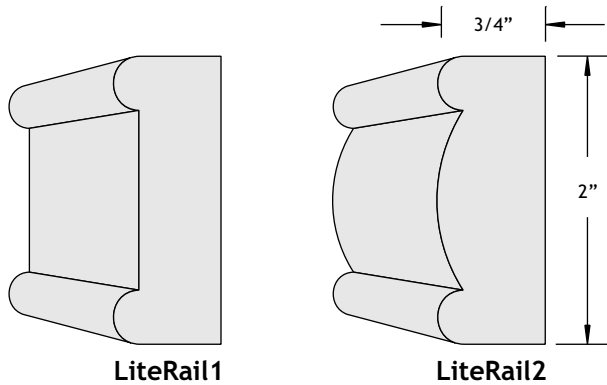
CabDoor's Ledger Board Profile



CabDoor's Ledger Board profile may be incorporated to add Lite Rails or apply Crowns to frameless cabinet construction.

S4S Lineals with matching door edges may be ordered on page 18, or utilize the Lite Rail profiles below.

See application diagram to right.



CabDoor's Ledger Board Application

Cabinet Moulding Price List

Moulding Pattern	Knotty Pine Red Oak Knotty Oak	PG Hdw Alder Knotty Alder Rustic Cherry	Ash Cherry Knotty Cherry	Maple White Oak	Beech Rustic Beech Hickory Knotty Hickory	CVG Fir Mahogany (Qtr'd Sapele)	Walnut
Ledger							
LiteRail1							
LiteRail2							

All Prices are per lineal foot.

Lengths will vary between 8 and 12 feet.

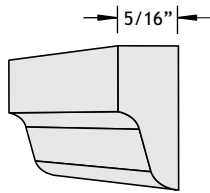
For additional LiteRail options, order S4S with Matching Door edges from page 16.

Millwork

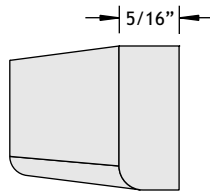
PureWood™

Scribes and Corners

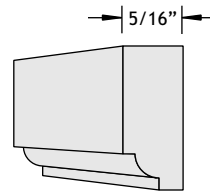
3/4" Scribes, Battens and Trims



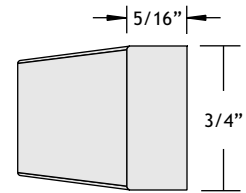
Scribe1



Scribe2

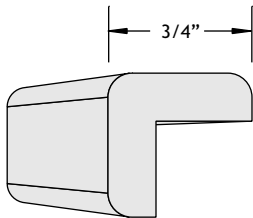


Scribe3

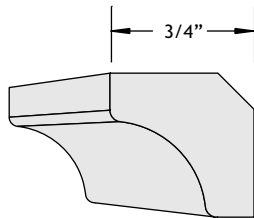


Batten

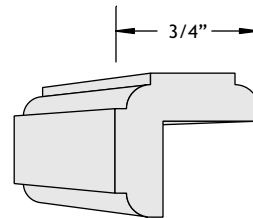
3/4" x 3/4" Outside and Inside Corners



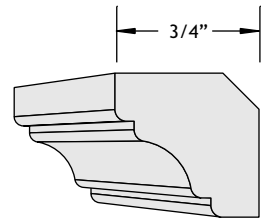
OSCorner1



ISCorner1



OSCorner2



ISCorner2

Cabinet Moulding Price List

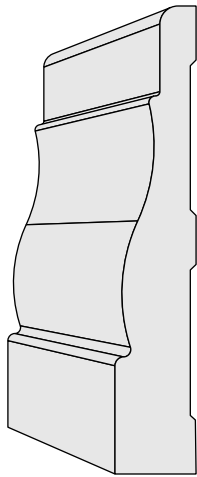
Moulding Pattern	Knotty Pine Red Oak Knotty Oak	PG Hwd Alder Knotty Alder Rustic Cherry	Ash Cherry Knotty Cherry	Maple White Oak	Beech Rustic Beech Hickory Knotty Hickory	CVG Fir Mahogany (Qtr'd Sapele)	Walnut
Scribe1							
Scribe2							
Scribe3							
Batten							
OSCorner1							
ISCorner1							
OSCorner2							
ISCorner2							

All Prices are per lineal foot.
Lengths will vary between 8 and 12 feet.

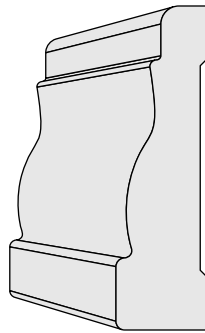


Architectural Millwork

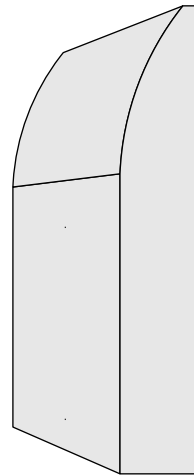
Casings and Base Boards



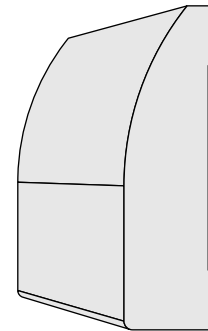
3-1/2" Colonial Base
(9/16" Thick)



2-1/4" Colonial Casing
(5/8" Thick)



3-1/2" Standard Base
(9/16" Thick)



2-1/4" Standard Casing
(5/8" Thick)

Cabinet Moulding Price List

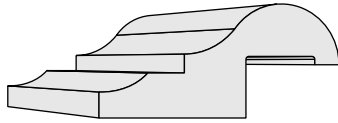
Moulding Pattern	Knotty Pine Red Oak Knotty Oak	PG Hdw'd Alder Knotty Alder Rustic Cherry	Ash Cherry Knotty Cherry	Maple White Oak	Beech Rustic Beech Hickory Knotty Hickory	CVG Fir Mahogany (Qtr'd Sapele)	Walnut
Colonial Base							
Colonial Casing							
Standard Base							
Standard Casing							

All Prices are per lineal foot.
Lengths will vary between 8 and 12 feet.

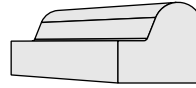
Millwork

Applied Mouldings

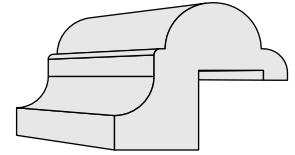
Patterns on this page are shown at actual size.



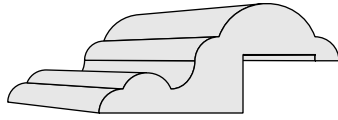
AM-01 Applied Moulding
1-1/4" W x 1/2" H
(fits P-3 Pattern)



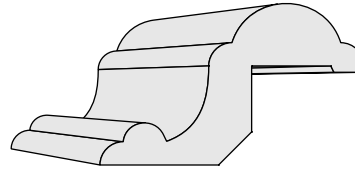
AM-02 Applied Moulding
7/16" W 7/16" H
(fits P-20 Pattern)



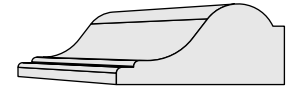
AM-03 Applied Moulding
15/16" W x 13/16" H
(fits P-19 Pattern)



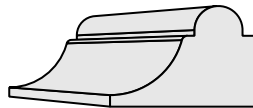
AM-04 Applied Moulding
1-1/4" W x 1/2" H
(fits P-3 Pattern)



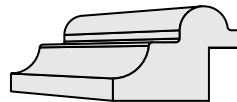
AM-09 Applied Moulding
1-1/4" W x 3/4" H
(fits P-20 Pattern)



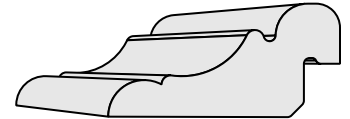
AM-22 Applied Moulding
7/8" W x 7/16" H
(fits P-19 Pattern)



AM-25 Applied Moulding
3/4" W x 9/16" H
(fits P-20 Pattern)



AM-27 Applied Moulding
11/16" W x 1/2" H
(fits P-3 Pattern)



AM-28 Applied Moulding
1-3/16" W x 9/16" H
(fits P-3 Pattern)

Cabinet Moulding Price List

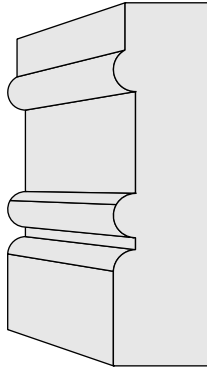
Moulding Pattern	Knotty Pine Red Oak Knotty Oak	PG Hdwd Alder Knotty Alder Rustic Cherry	Ash Cherry Knotty Cherry	Maple White Oak	Beech Rustic Beech Hickory Knotty Hickory	CVG Fir Mahogany (Qtr'd Sapele)	Walnut
AM-01							
AM-02							
AM-03							
AM-04							
AM-09							
AM-22							
AM-25							
AM-27							
AM-28							

All Prices are per lineal foot.
Lengths will vary between 5 and 10 feet.

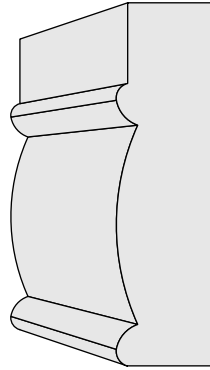


Architectural Millwork

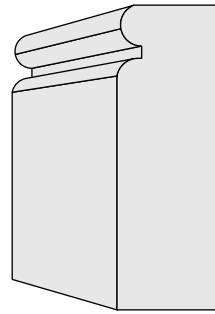
Mitre Moulding Patterns



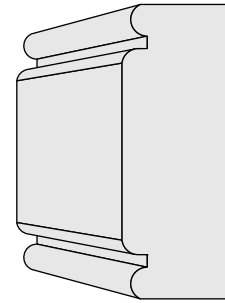
MP-1 Blank
3.063"



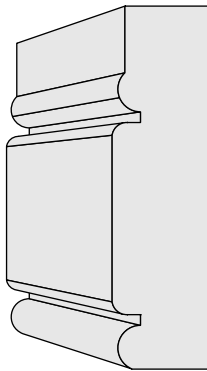
MP-2 Blank
3.063"



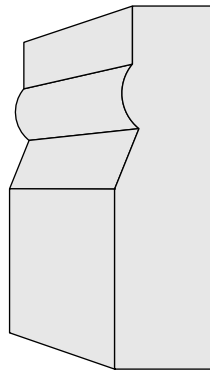
MP-3 Blank
2.250"



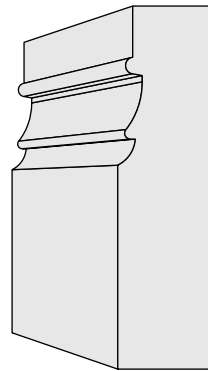
MP-5 Blank
2.250"



MP-6 Blank
3.063"



MP-9 Blank
3.125"



MP-11 Blank
3.125"

These Mitre door patterns come absent of the pattern and panel groove used for building doors.

In this state, they can be incorporated into decorative buildups, mantles, shelves, etc. that will match the architectural elements of those doors employing the same patterns.

Any square edge may be ordered with an optional Edge Detail.

Cabinet Moulding Price List

Moulding Pattern	Knotty Pine Red Oak Knotty Oak	PG Hdwd Alder Knotty Alder Rustic Cherry	Ash Cherry Knotty Cherry	Maple White Oak	Beech Rustic Beech Hickory Knotty Hickory	CVG Fir Mahogany (Qtr'd Sapele)	Walnut
MP-1							
MP-2							
MP-3							
MP-5							
MP-6							
MP-9							
MP-11							

All Prices are per lineal foot.
Lengths will vary between 8 and 12 feet.

Millwork

PureWood™

S4S Lineals

- CDS offers S4S lineals with matching edge details and species, for use as light valances or various trim applications.
- These can be added to CabDoor's Ledger Board profile to create these applications within frameless cabinet construction.
- All lineal lengths are sold in 8' - 10' lengths.
- All pieces are finished at 3/4" thick, and finish sanded.
- Optional Edge Details available on one or both sides:
(See Chart below)

S4S Lineal Price List

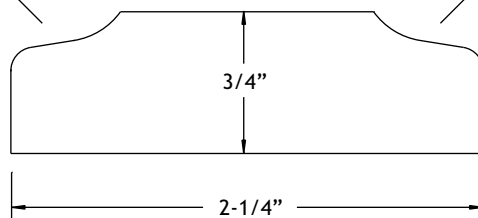
Moulding Pattern	Knotty Pine	PG Hdwd	Ash	Maple	Beech	CVG Fir	Walnut
	Red Oak	Alder	Cherry		Rustic Beech	Mahogany	
	Knotty Oak	Knotty Alder	Knotty Cherry	White Oak	Knotty Hickory	(Qtr'd Sapele)	
1.000 S4S							
1.250 S4S							
1.500 S4S							
1.750 S4S							
2.000 S4S							
2.250 S4S							
2.500 S4S							
2.750 S4S							
3.000 S4S							
3.250 S4S							
3.500 S4S							
3.750 S4S							
4.000 S4S							
4.250 S4S							
4.500 S4S							

"How to Order"

Lineal Size	Specify
Species	Specify
Qty Lin. Ft.	Specify
Edge Detail First Side	Specify
Edge Detail Second Side	Specify

Specify Edge Detail on First Edge

Specify Edge Detail on Second Edge



2-1/4" S4S Lineal with E-2 Edge Detail on BOTH sides Shown

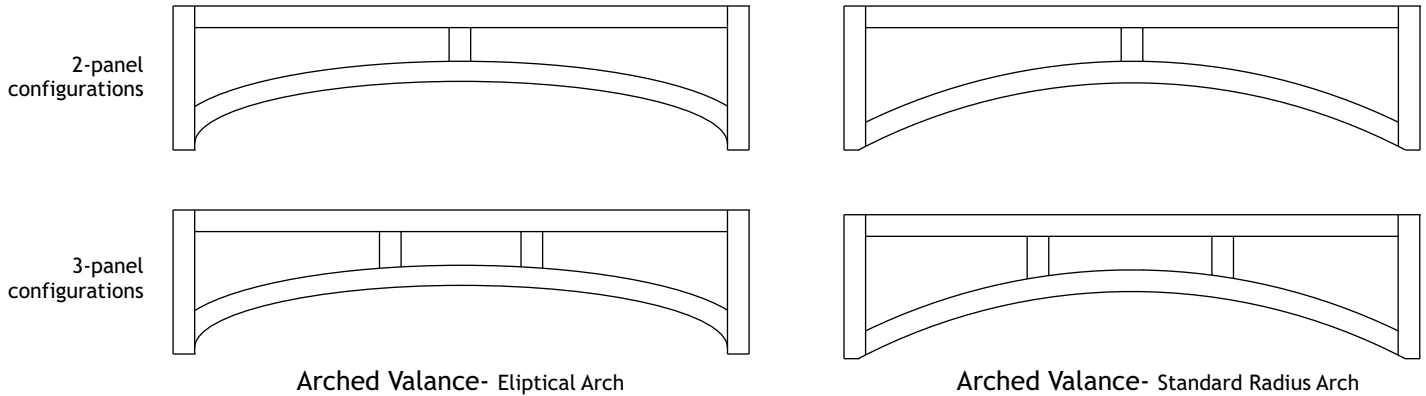
S4S Edge Details

Edge Detail	Min. Width Edge on ONE side	Min. Width Edge on TWO sides
E-2	1.250	1.500
E-3	1.250	1.500
E-4	1.250	1.500
E-5	1.000	1.000
E-6	1.000	1.000
E-7	1.000	1.250
E-10	1.000	1.250
E-11	1.250	1.500
E-20	1.000	1.000
E-25	1.000	1.000
E-32	2.250	3.000
E-34	1.250	1.500
E-40	1.250	1.500
E-42	1.000	1.250
E-45	1.250	1.500
E-46	1.000	1.000

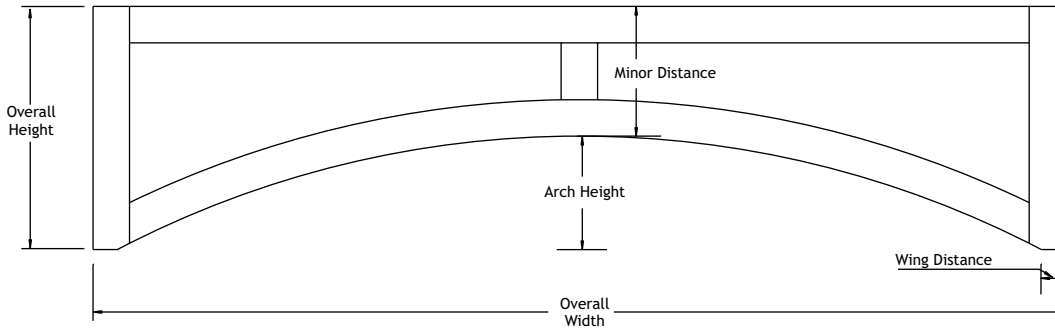


Architectural Millwork

Arched Valance Information



Arched Valance Terminology



When ordering, review the Ordering Templates provided in pages M-5.1 through M-5.4 in order to provide CDS Customer Service all the information required to build these parts.

Contact your Customer Service Rep with any questions.

Arched Valance Minimums

Minimum Width-	24"
Minimum Height-	12"
Minimum Minor Distance-	8"
Minimum Wing Distance-	1/4"
Maximum Width-	96"
Maximum Height-	42"

Optional Profiles Available:

- Inside Profile Usage Group "A"
- Panel Profile Usage Group "A"
- See the PureWood™ Patterns Guide accompanying this catalog.

Optional Edge Details Available:

- See PureWood™ Patterns Guide accompanying this catalog.

Arched Valance SF Pricing

Species	Raised Panel	Inset Panel
Alder		13.10
Ash		17.65
Beech		13.10
CVG Fir		18.65
Eastern Cherry		17.65
Eastern Maple		15.25
Knotty Alder		13.10
Knotty Cherry		
Knotty Hickory		
Knotty Oak		
Knotty Pine		
Mahogany (Qtr'd Sapele)		
Natural Hickory		
Northern Red Oak		
Paint Grade Hardwood		
Paint Grade Hdwd w/ MDF Panel		
Rustic Beech		
Rustic Cherry		
Walnut		
White Oak		